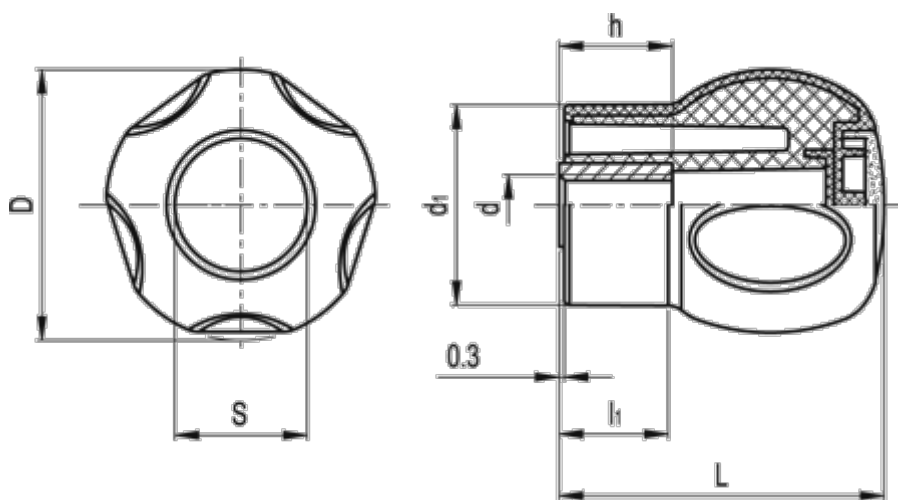


Data Sheet



Article number: 2305245104
Description: E+G Håndgreb
EBK.43-B-M8-H-SOFT

Measures



D	= 43
d1	= 32.5
d 6H	= M8
h	= 10
L	= 53.5
l1	= 17.5
Weight (g)	= 72